

MD-54

RED MANTM
ULTRA-HIGH PERFORMANCE SOLENOID

- Two way
- Three way
- Full bore
- Reduced bore
- Stainless steel



■Features

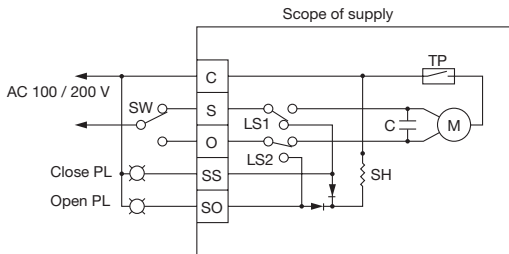
1. IP65 dust and water proof structure (JIS C 0920).
2. Excellent durability by built-in thermal protector (no motor burnout).
3. Quickly accurate starting/stopping operation. The indication of the working position can be checked.
4. Valve disc smoothly opens and closes, preventing water hammer and ensuring complete sealing.
5. Manually operable.
6. Equipped with opening-closing indicator lamp circuit.
7. Incorporated space heater for dew condensation prevention (1W).

■Specifications

Application	Steam, Air, Cold and hot water		
Working pressure	Steam: 0-0.6 MPa		
	Air, Cold and hot water: 0-1.0 MPa		
Application temperature	Steam: Max. 160°C Air: Max. 120°C Cold and hot water: Max. 100°C		
Ambient temperature	-15-55°C		
Rated voltage	AC 100 / 110 V 50 / 60 Hz common		
	AC 200 / 220 V 50 / 60 Hz common		
Power consumption	Nominal size 15A-32A		Nominal size 40A50A
	16 VA		19 VA
Operation	ON-OFF		
Operation angle	90°		
Opening and closing time	Nominal size 15A-20A	Nominal size 25A-32A	Nominal size 40A-50A
	5.4 sec. (50 Hz) 4.5 sec (60 Hz)	15.5 sec. (50 Hz) 13 sec. (60 Hz)	16 sec. (50 Hz) 13.5 sec. (60 Hz)
Percentage duty cycle	20% 15 min.		
Manual operation	Possible		
Over current protection	Built-in thermal protector		
Indicator lamp circuit	Built-in		
Protective structure	IP65 dust and water proof structure (JIS C 0920)		
Valve shape	Reduced bore		
Material	Body	Cast stainless steel	
	Ball	Stainless steel	
	Seat	Reinforced fluorine resin for high temperature	
Connection	JIS Rc screwed		

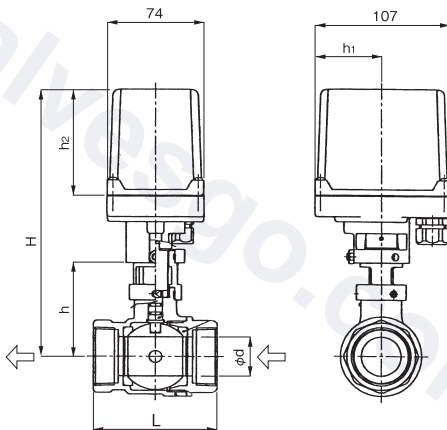
- Valve (ball) is opened upon shipment from the factory.
- Require to adjust the flow direction and arrow mark.

■ Circuit of Motor Operation



LS1: Close-limit SW LS2: Open-limit SW SH: Space heater
TP: Thermal protector C: Condenser M: Motor

■ Dimensions (mm) and Weights (kg)



• Cv value

Nominal size	L	H	h	h ₁	h ₂	d	Weight
15A	59	178	52	36	85	13	1.4
20A	66	180	54	36	85	15	1.5
25A	78	187	61	36	85	20	1.7
32A	87	197	71	36	85	25	2.0
40A	95	218	77	53	85	32	2.8
50A	109	224	83	53	85	40	3.3

Nominal size	Cv value
15A	9
20A	13
25A	24
32A	44
40A	80
50A	120

■ At the Time of Ordering

Please specify model, size and also rated voltage.