

SU-55F

Y type	Basket	Duplex	Temporary
Stainless steel	Nylon	Carbon steel	Easy plug
Pipe end core	One-touch	With fine mesh	Davit



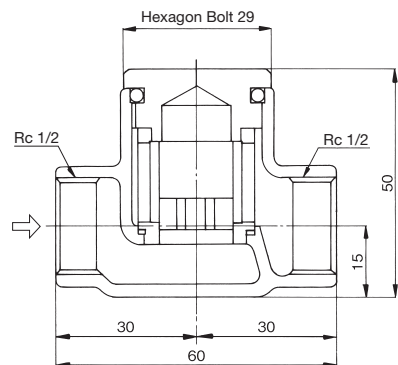
■Features

1. Adopts a vertical structure. Cap can be removed easily since the cap sealing is O-ring, and it makes the screen cleaning easy.
2. No need to worry for red water because of bronze body.

■Specifications

Application		Cold and hot water
Maximum pressure		1.2 MPa
Maximum temperature		60°C
Material	Body	Bronze
	O ring	FKM (Viton)
Screen	Screen	Stainless steel
	Mesh	60 mesh
Connection		JIS Rc screwed

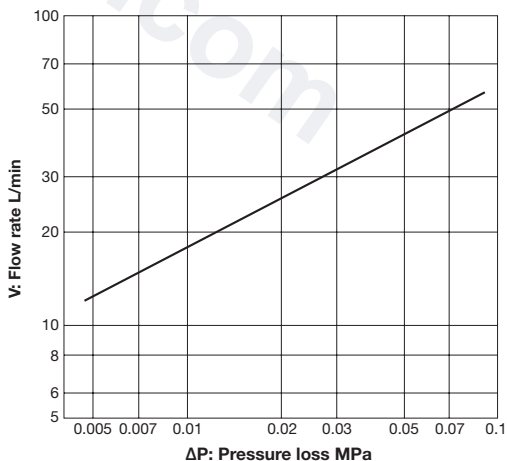
■Dimensions (mm) and Weights (kg)



· Weights: 0.3kg

■Pressure Loss Chart (For Water)

· Screen: Mesh = 60 mesh



Please refer to P.4-12 for the information about how to look the chart, and calculating example.