

# TA-22ML



JWWA approval

## ■ Applications

Building equipment Industrial equipment Building complex

## ■ Features

1. Easy to clean by removing the valve seat even if scale or dirt deposits on the valve disc or valve seat.
2. Vinyl hose (hose bore  $\phi$  6mm) can be connected easily to the TA-22ML. Do not remove the end cap while usage. (Please refer to Fig.1).
3. Even if water leaks out of the TA-22ML due to failure, it can be stopped immediately by removing the end cap and tightening the joint cap, ensuring safety. (Please refer to the Fig 1.)



TA-22ML

## ■ Specifications

Application	Cold and hot water	
Working pressure	0.01-1.0 MPa	
Maximum temperature	100°C	
Material	Body	Bronze
	Float	Heat-resistant resin
	Disc	FKM
Connection	Inlet	JIS R (P.V common core)
	Outlet	Hose joint type
Metal plating	Nickel-plated	

## ■ Dimensions (mm) and Weights (kg)

Nominal size	d	H	Weight
15A	Rc 1/2	95.5	0.36
20A	Rc 3/4	101	0.4
25A	Rc 1	104	0.46

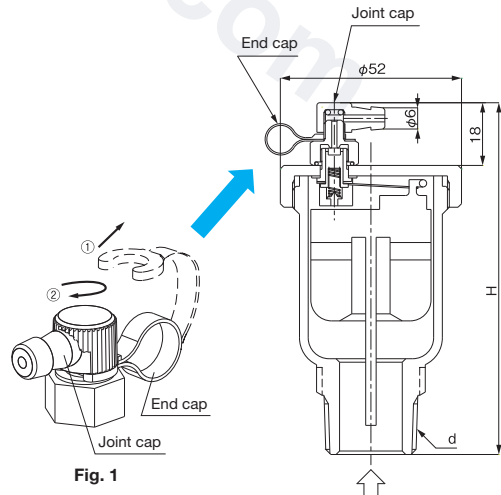
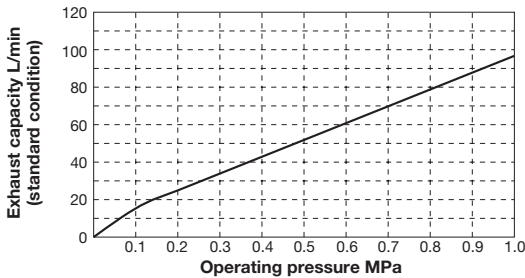


Fig. 1

## ■ Exhaust Capacity Chart



## ■ Precautions for Installation

- Remove foreign matter and scales from the lines and install the valve vertically where the air likely gathers.
- Prepare enough space for inspections, maintenance, and repairs.
- When installing the product to piping, tighten the square part of the inlet side with monkey wrench. In that case, please put monkey wrench to the square part.
- At the time of the initial stage, release the air hole while closing the cap.
- Utilize together with AO-2 air out (air separator) that may enhance the effectiveness.
- Lead to the vinyl hose to the outlet side of the product to safety place in case water spray out by scale inside piping and air discharge in the initial stage of water passing.
  - \* When hot water is used, its leakage may cause burns or contamination in the area where the products is installed.
- After tightening the joint cap, install the hose and lead to the drainage outlet and fix the joint cap to avoid the loosening of joint cap.
  - \* Install the outlet side to the safety place in case water leakage occurred.
  - \* When hot water is used, its leakage may cause burns or contamination in the area where the products is installed.